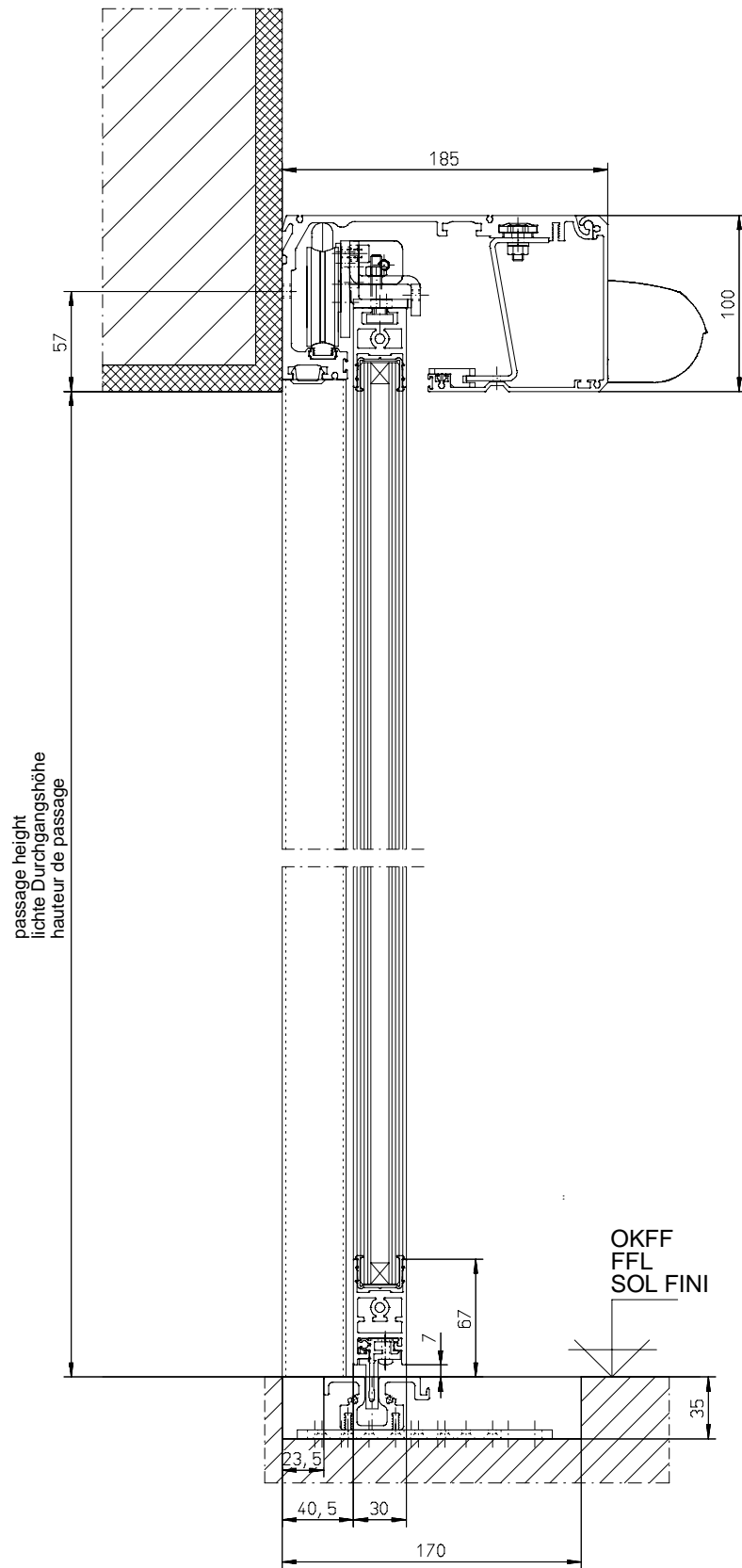
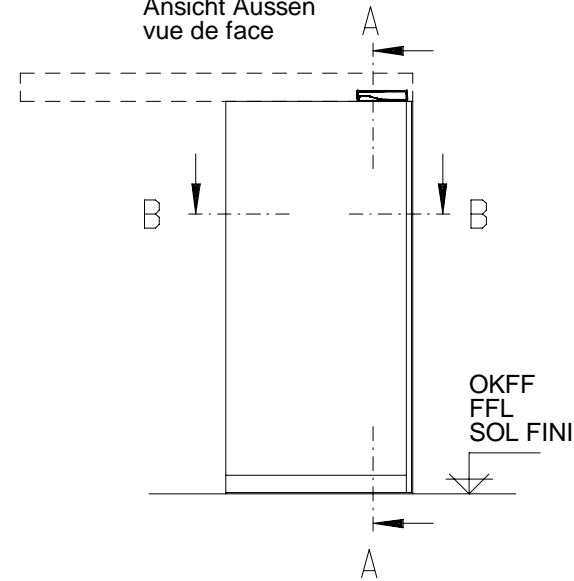


A - A



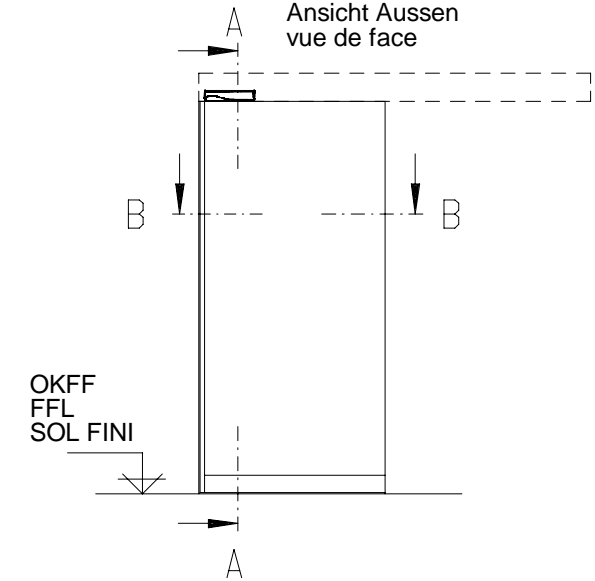
DIN rechts / rechts öffnend

front view
Ansicht Aussen
vue de face

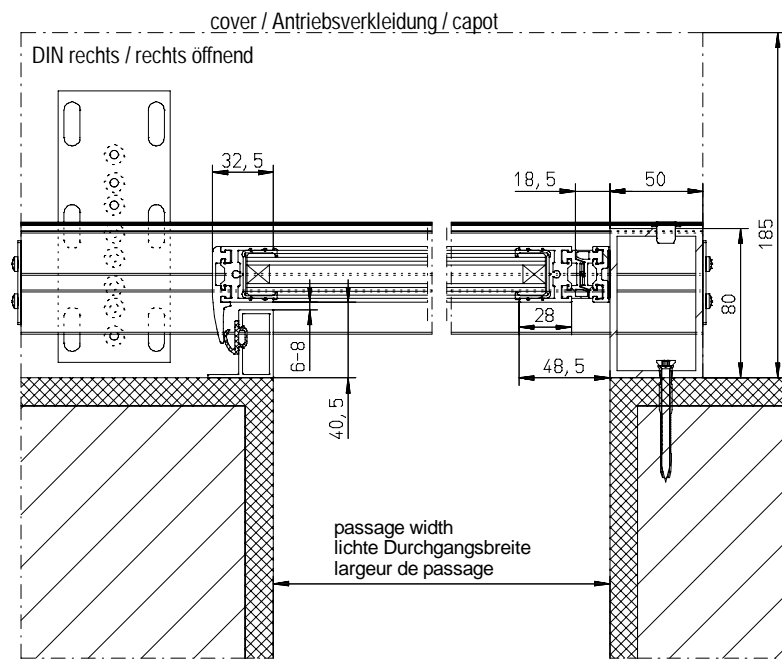


DIN links / links öffnend

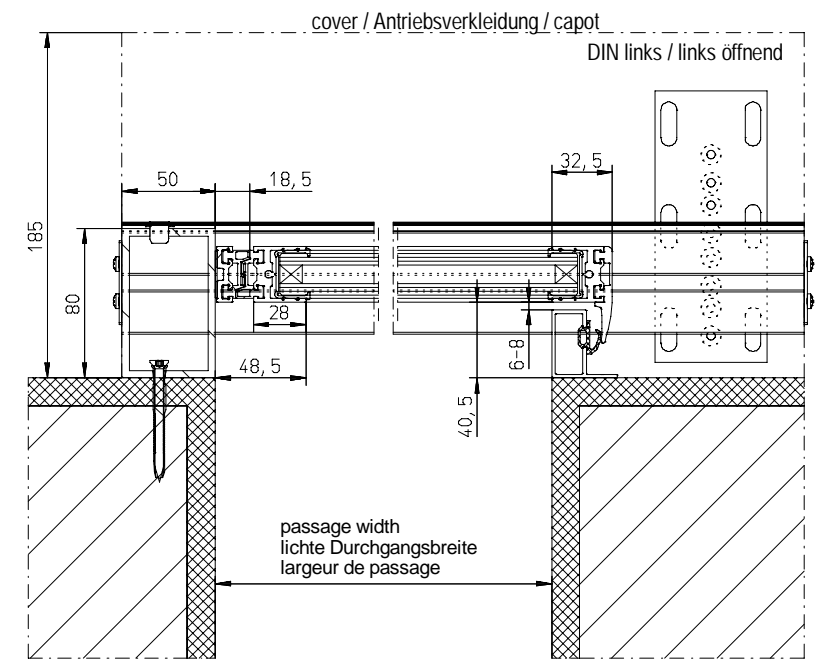
front view
Ansicht Aussen
vue de face



B - B



B - B



Surface treatment	Material	Scale		
Tolerance	Mass Weight (kg)	Part No.	Date	Name
		CM/CMF-MW	20/05/2020	Jander
Type	Norm	Design firm	Design by	Name
Proprietary rights apply in accordance with ISO 10076				
GU GU Automatische Einheiten www.gu-automatik.com	Description -Profilsystem G30- 1-flügelig -Profile system G30- 1 daarf leaf	Levels	Revised	Date
				Sheet A-9901100-3 1