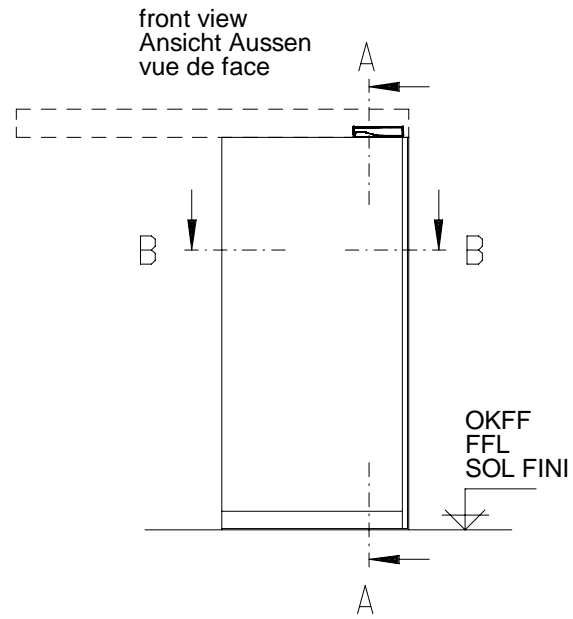
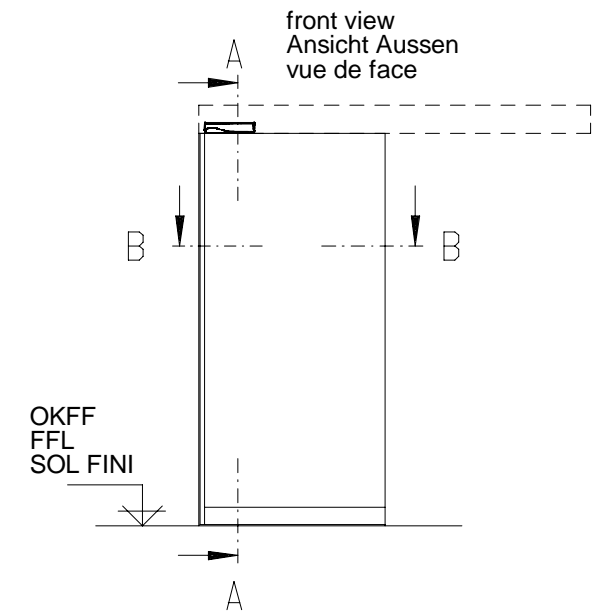


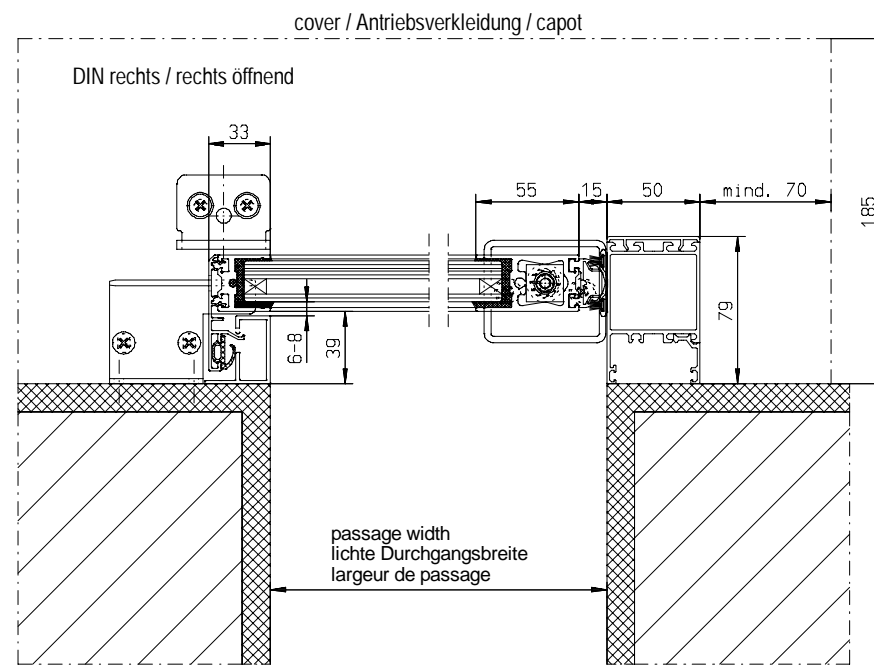
DIN rechts / rechts öffnend



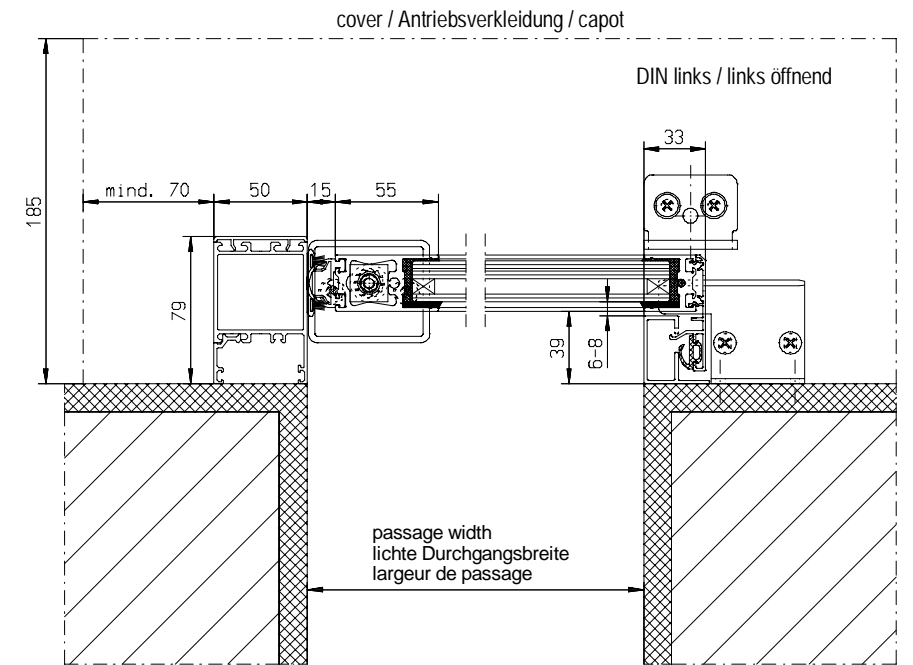
DIN links / links öffnend



B - B



B - B



Surface treatment	Material	Scale		
Tolerance	Mass Weight (kg)	Part No.	Date	Name
		CM/CMF-WK2-MW	12.10.2020	Jankar
Type	Norm	Designation	Designation	Designation
Proprietary rights apply in accordance with ISO 10016				
GU GU Automatics GmbH www.gu-automatics.com	Description -Profilsystem G30- 1-flügelig -Profile system G30- 1 daar leaf	Level	Revised	Date
		Drawing No.	Sheet	
		A-9901600	1	