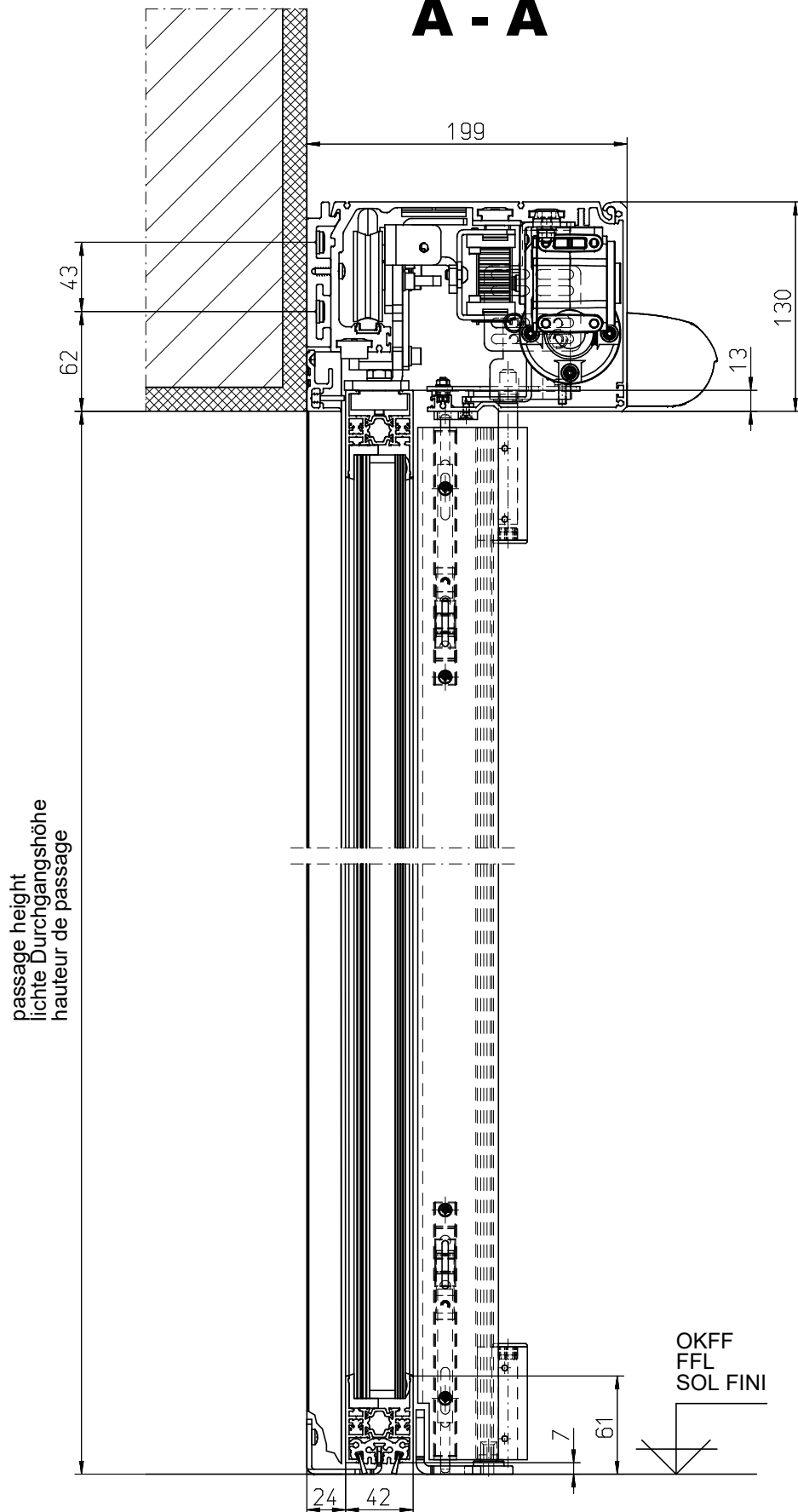


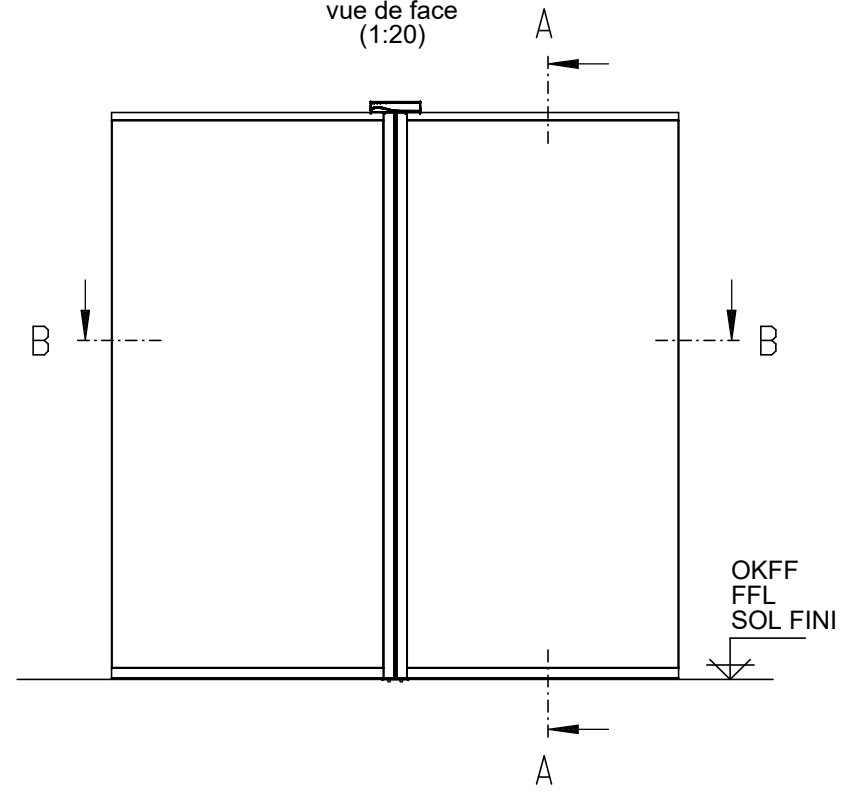
**A - A**



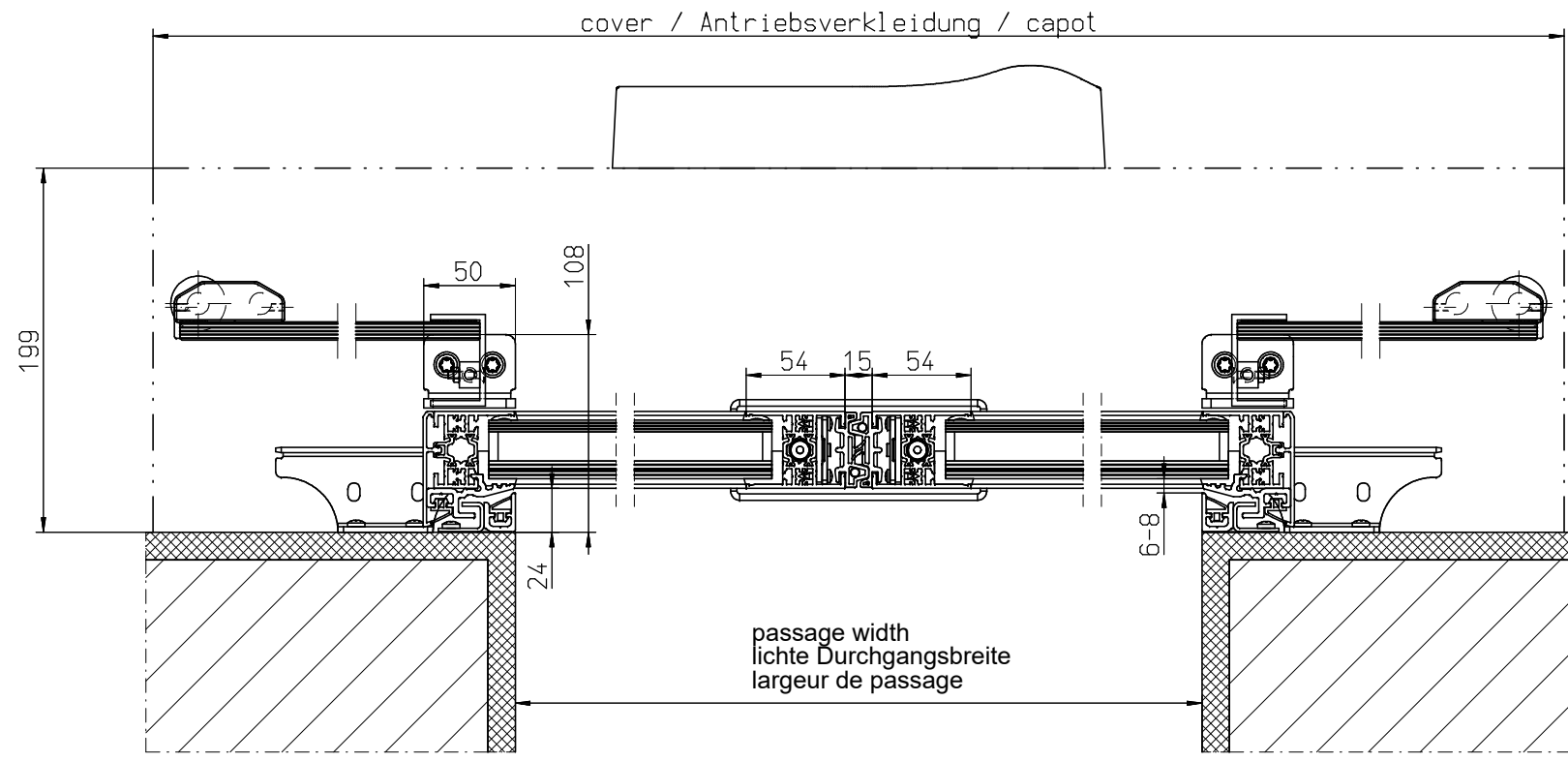
passage height  
lichte Durchgangshöhe  
hauteur de passage

OKFF  
FFL  
SOL FINI

front view  
Ansicht Aussen  
vue de face  
(1:20)



**B - B**



cover / Antriebsverkleidung / capot

passage width  
lichte Durchgangsbreite  
largeur de passage

|  |   |                  |                  |              |
|--|---|------------------|------------------|--------------|
| Surface treatment                                      | Material                                  | Scale            | 1:20             |              |
| Tolerance  | Mass weight / g                           | Part No.         | Date             | Name         |
| DN 2768-mk   |   |                  | 30.07.2024       | Ernst        |
| Type   | Norm                                      | Resistance / bar | Resistance / bar |              |
| Proprietary rights apply in accordance with ISO 16016  |   |                  |                  |              |
| <b>GU</b><br>GU Automatic GmbH<br>www.gu-automatic.com | Description<br>HM/F-RC2-2flg.-GUT42-MW-SF | Level            | Revision         | Date         |
|  | Drawing No.<br>A-9935610-                 |                  |                  | Sheet<br>001 |