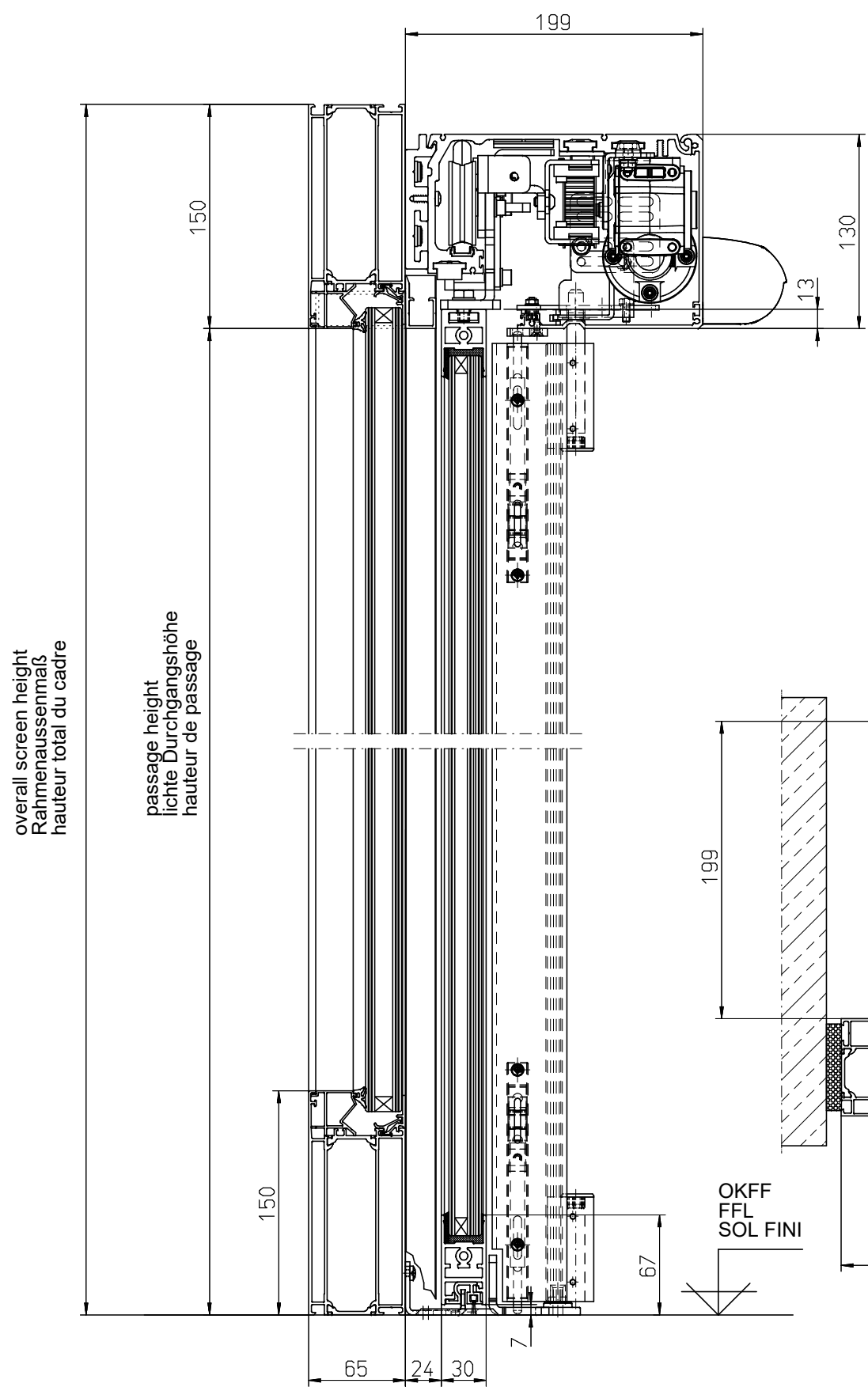
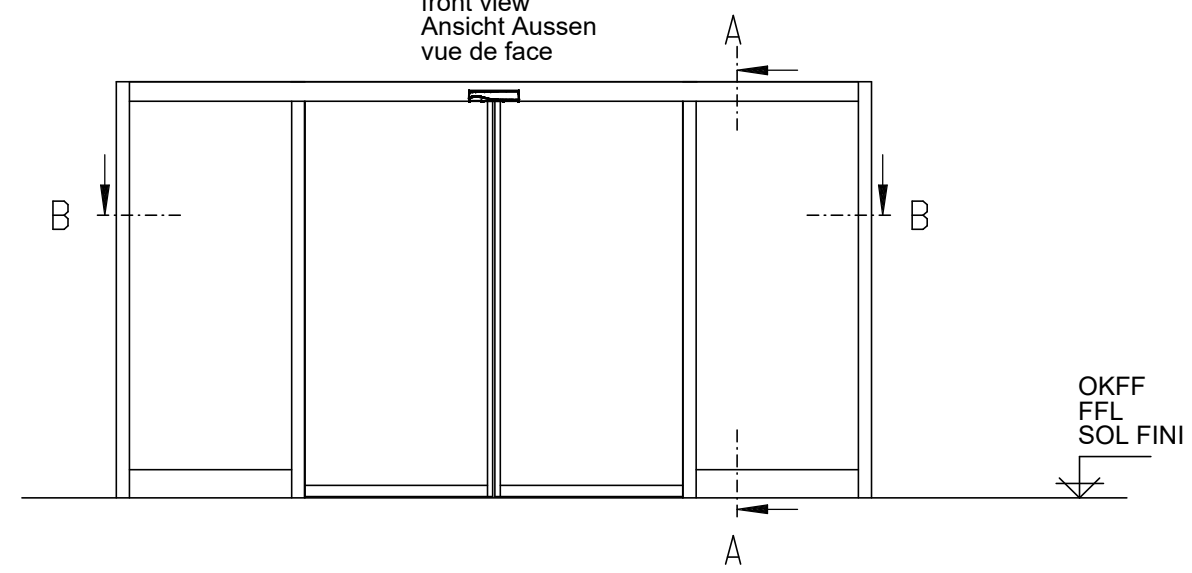


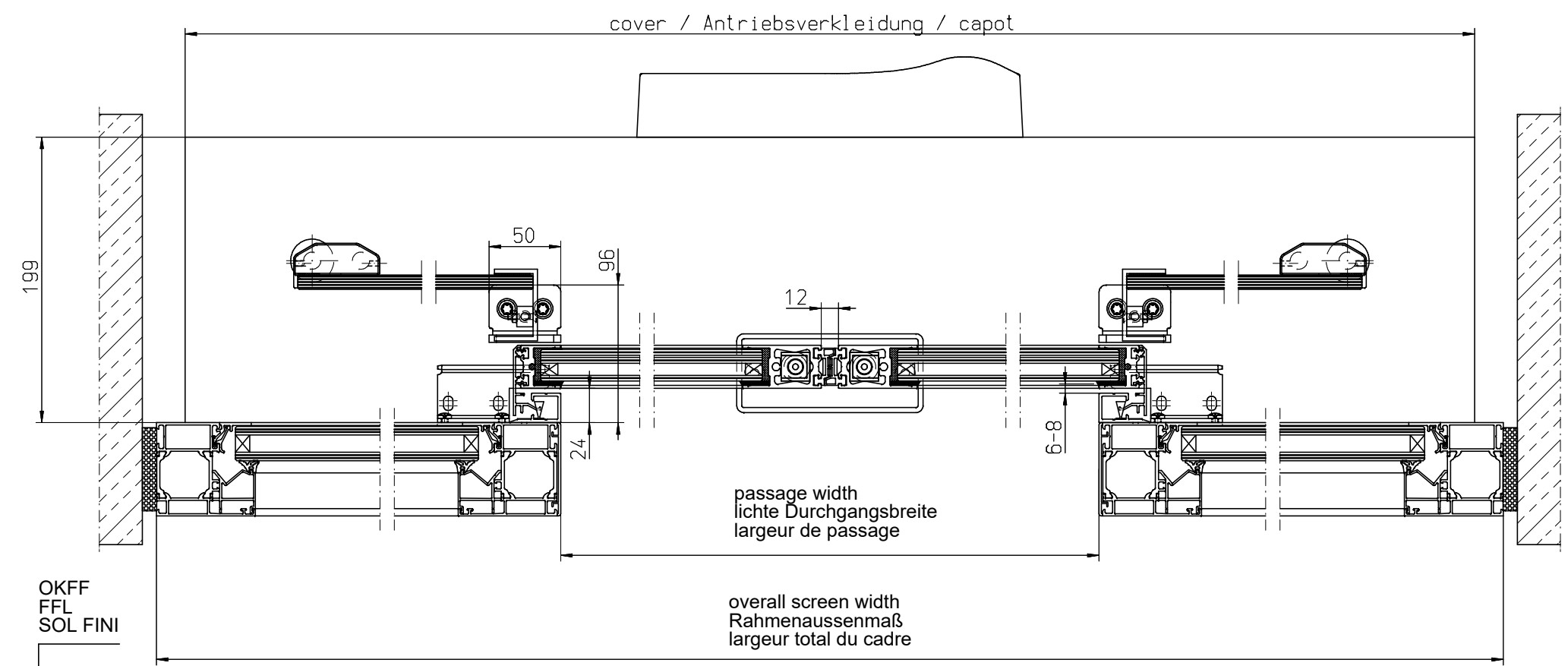
A - A



front view
Ansicht Aussen
vue de face



B - B



Surface treatment	Material	Scale	1:2	
Tolerance	Mass Weight kg	Part No.	Date	Name
DN 2768-mk			04.09.2025	Ernst
Type	Norm	Produce by		
Proprietary rights apply in accordance with ISO 9016				
GU GU Automatic GmbH www.gu-automatic.com		Description HM/F-RC2-21g.-G30-EL-22-SF	Level	Design
		Drawing No.	Date	Name
		A-9935170-		
		Sheet	001	